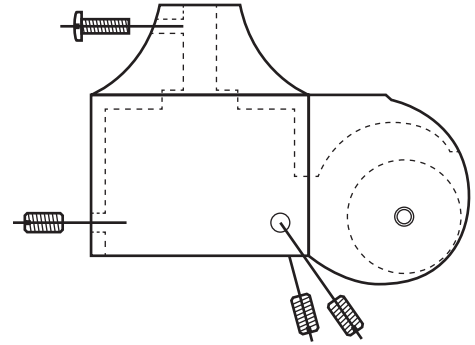
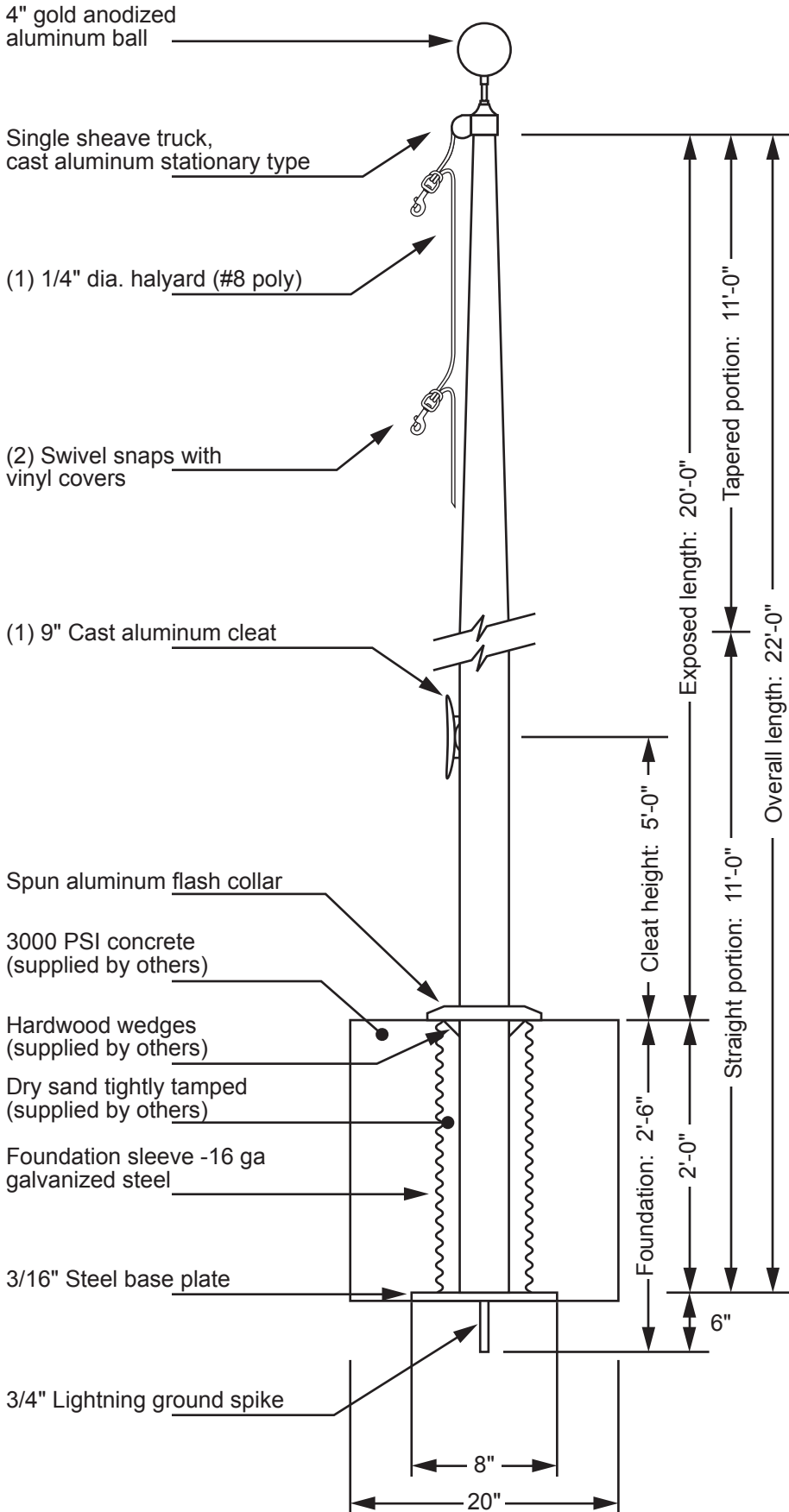


# Model ECSA20 - External Single Halyard



**Single Sheave Truck Detail**  
 Stationary truck  
 Cast aluminum body  
 Nylon sheave

Project:  
 Location:  
 Contractor:  
 Customer:

Date:  
 Job:  
 Revision:

Exposed Height \_\_ 20'-0"  
 Overall Height \_\_ 22'-0"  
 Butt Diameter \_\_ 4"  
 Top Diameter \_\_ 2-3/8"  
 Wall Thickness \_\_ .125"  
 Ships in 1 section

Ground Set Tapered  
 Aluminum Flagpole  
 ALLOY 6063T6  
 80 grit polish

FINISH:

**EDER FLAG**  
 1000 W. Rawson Avenue  
 Oak Creek, WI 53154  
 www.ederflag.com

